

FEDERAL SUPPLY CLASS
3110

REV.
A

AS5928™

RATIONALE
FIVE YEAR REVIEW. UPDATE PASSIVATION SPECIFICATIONS.

NOTICE
ANY REQUIREMENTS ASSOCIATED WITH QUALIFIED PRODUCTS LISTS (QPL'S) MAY CONTINUE TO BE MANDATORY FOR DOD CONTRACTS. REQUIREMENTS RELATING TO QPL'S HAVE NOT BEEN ADOPTED BY THE SAE FOR THIS STANDARD AND ARE NOT PART OF THIS SAE DOCUMENT.

THE COMPLETE REQUIREMENTS FOR PROCURING THE PRODUCT DESCRIBED HEREIN SHALL CONSIST OF THIS DOCUMENT AND THE LATEST ISSUE OF AS39901.

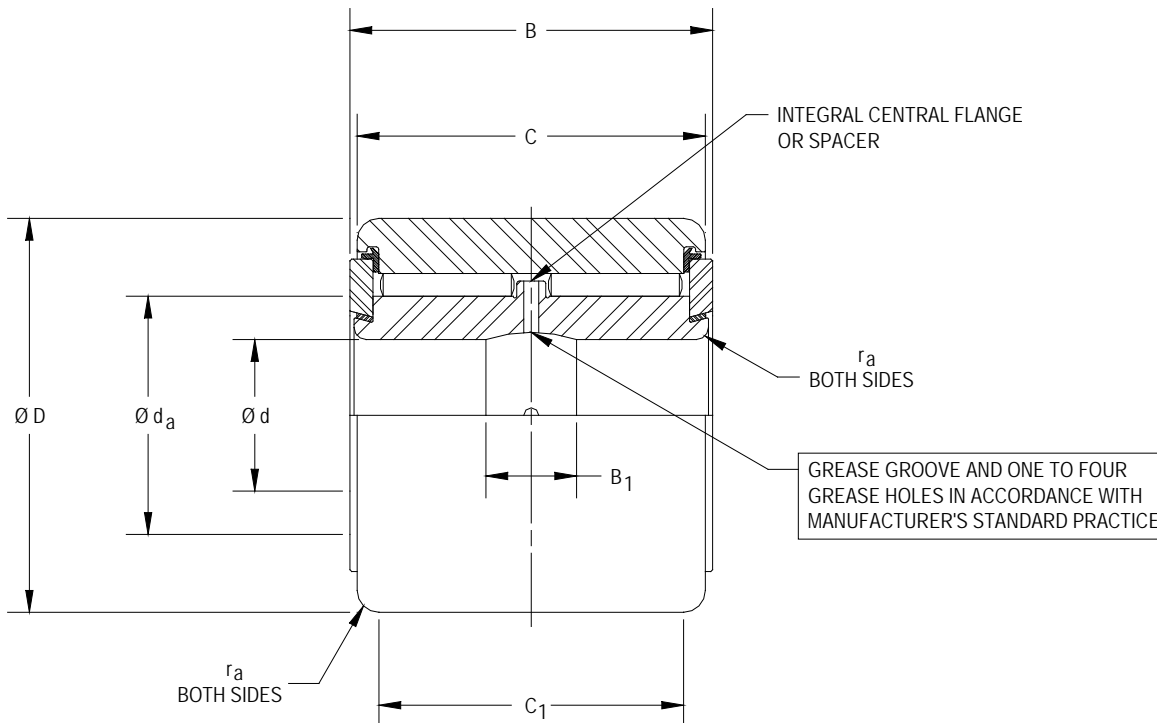
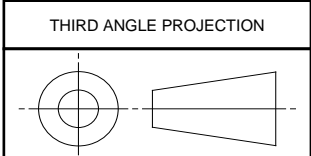


FIGURE 1

SAE values your input. To provide feedback on this Technical Report, please visit <http://www.sae.org/technical/standards/AS5928A>



ISSUED 2005-09 REVISED 2016-05

CUSTODIAN: ACBG

PROCUREMENT SPECIFICATION: AS39901



AEROSPACE STANDARD

BEARING, ROLLER, NEEDLE, DOUBLE ROW, HEAVY DUTY, TRACK ROLLER, SEALED, TYPE VI, ANTI-FRICTION, CORROSION RESISTANT NITROGEN (CREN) STEEL, INCH

AS5928™
SHEET 1 OF 3

REV.
A

SAE Technical Standards Board Rules provide that: "This report is published by SAE to advance the state of technical and engineering sciences. The use of this report is entirely voluntary, and its applicability and suitability for any particular use, including any patent infringement arising therefrom, is the sole responsibility of the user." SAE reviews each technical report at least every five years at which time it may be revised, reaffirmed, stabilized, or cancelled. SAE invites your written comments and suggestions.